

PRODUCT INFORMATION PACKET



Model No: C6T17FB194A

Catalog No: 119561.00

..1HP..1800RPM.56.TEFC.230/460V.3PH.60HZ.CONT.40C.1.15 S.F..RIGID.....BRAKEMOTOR.....
Brake



Regal and Leeson are trademarks of Regal Beloit Corporation or one of its affiliated companies.

©2018 Regal Beloit Corporation, All Rights Reserved. MC017097E





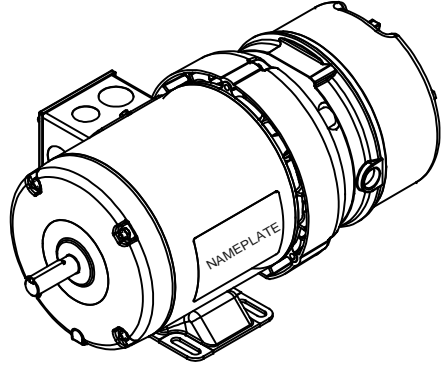
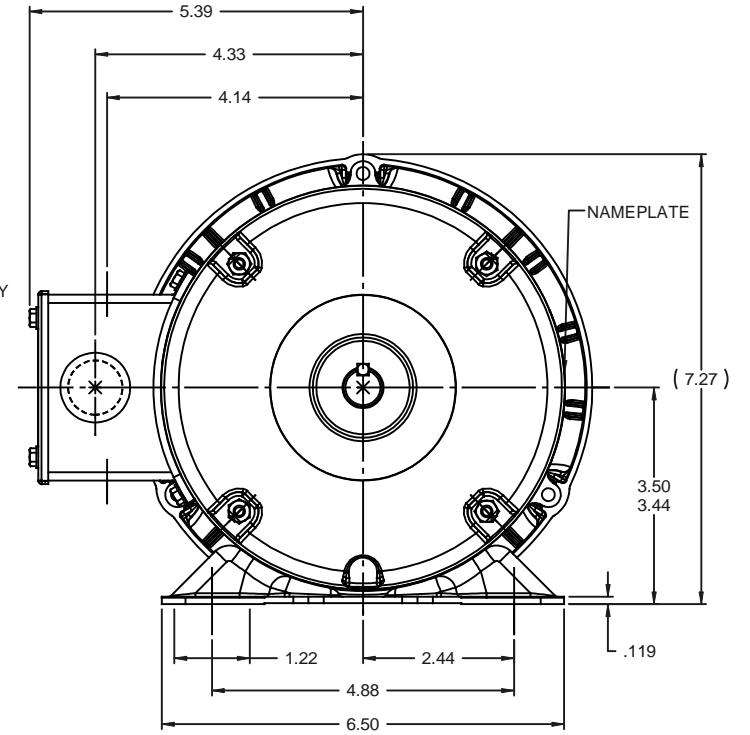
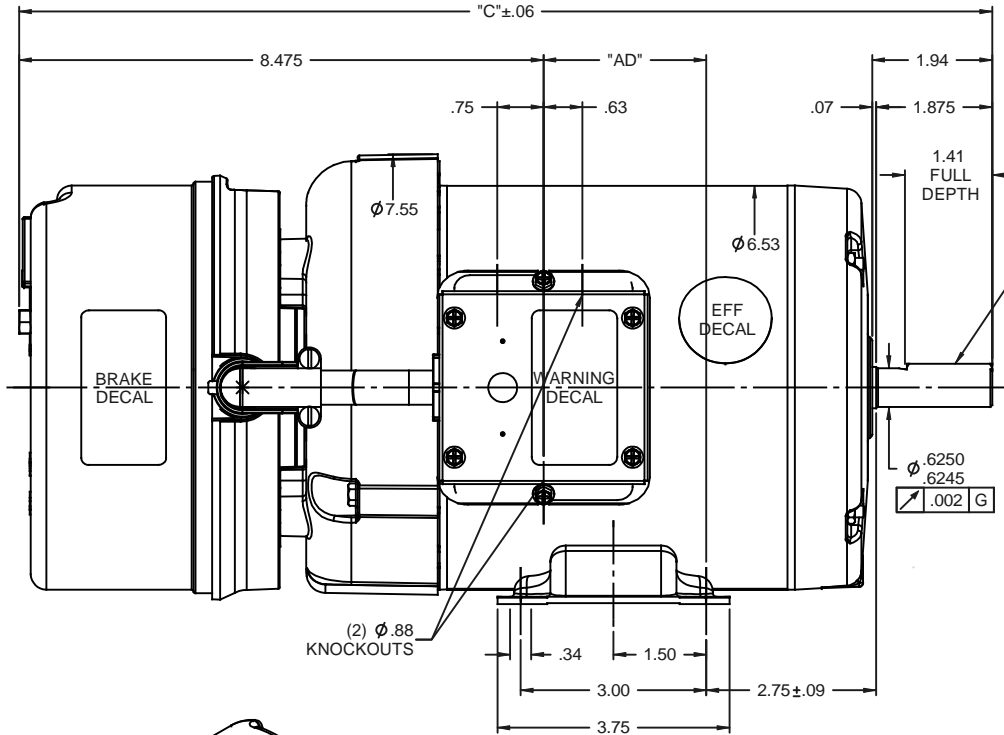
Nameplate Specifications

Output HP	1 Hp	Output KW	0.75 kW
Frequency	60 Hz	Voltage	230/460 V
Current	3.2/1.6 A	Speed	1760 rpm
Service Factor	1.15	Phase	3
Efficiency	85.5 %	Duty	Continuous
Insulation Class	B	Design Code	B
KVA Code	N	Frame	56
Enclosure	Totally Enclosed Fan Cooled	Overload Protector	No
Ambient Temperature	40 °C	Drive End Bearing Size	6203
Opp Drive End Bearing Size	6203	UL	Recognized
CSA	Y	CE	Y
IP Code	43		

Technical Specifications

Electrical Type	Squirrel Cage Induction Run	Starting Method	Across The Line
Poles	4	Rotation	Reversible
Mounting	Rigid base	Motor Orientation	HORIZONTAL
Drive End Bearing	BALL	Opp Drive End Bearing	BALL
Frame Material	Rolled Steel	Shaft Type	NEMA 56
Overall Length	17.23 in	Frame Length	7.00 in
Shaft Diameter	0.625 in	Shaft Extension	1.88 in
Assembly/Box Mounting	F1 ONLY		
Outline Drawing	028936-700	Connection Diagram	005010.51

RBC PROPRIETARY AND CONFIDENTIAL INFORMATION
 This document is the property of REGAL BELOIT CORPORATION ("RBC") including its subsidiaries and divisions and contains proprietary information of RBC. This document is loaned on the express condition that neither it nor the information contained therein shall be disclosed to others without the express written consent of RBC, and that the information shall be used by the recipient only as approved expressly by RBC. This document shall be returned to RBC upon its request. This document may be subject to certain restrictions under U.S. export control laws and regulations.

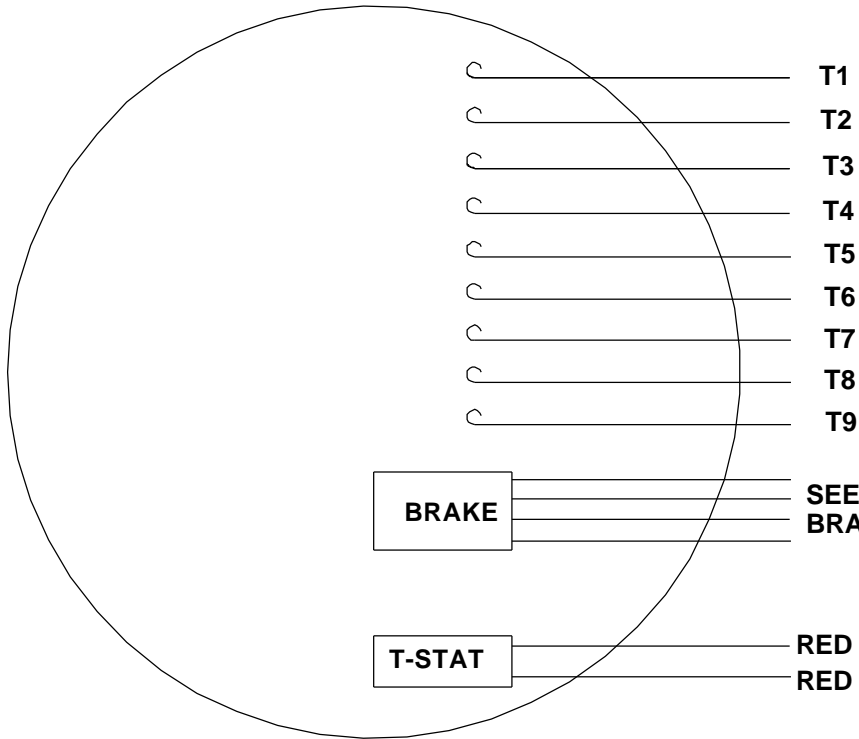


DASH NO.	"C"	"AD"
500	15.23	2.13
550	15.73	2.63
600	16.23	3.13
650	16.73	3.63
700	17.23	4.13

REVISION		BY & DATE	CHK ANG ±1/2°	FINISH	SCALE	PAGE	OF
THIRD ANGLE PROJECTION		RFP 12/19/08	PREV		1:2	114146.00	
TOLERANCES UNLESS SPECIFIED:				ELECTRIC MOTORS GEARMOTORS AND DRIVES		DRAWN GRB 12/19/08	
DEC INCHES				TITLE OUTLINE - 56 FRAME		CHK DJ 12/19/08	
X ±.1				T.E.F.C. - RIGID		APPR DJ 12/19/08	
.XX ±.03				MATL BRAKEMOTOR		REF 028530	
.XXX ±.005						FMF 114146.00	
.XXX ±.005						PAGE OF	
NO				RFP 12/19/08		DRAWING NO	
				NETWORK FILE NAME		REV	
				SIZE B		028936	

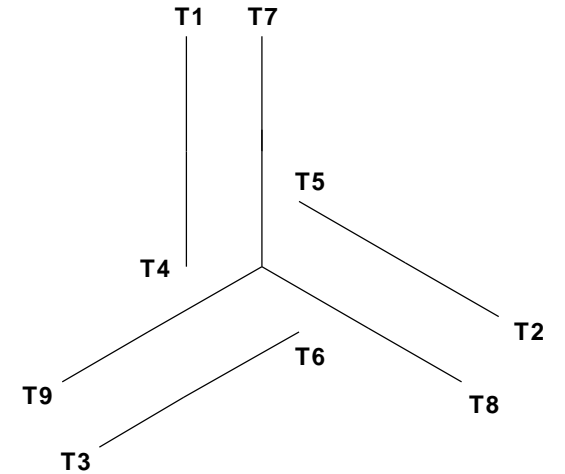
VIEW FROM OUTSIDE OF MOTOR AT SWITCH END.

CAUTION:
LEAD WIRE INSULATION TO EXTEND
MINIMUM OF 1/4" INTO CONNECTOR
INSULATION



SEE TABLE FOR
BRAKE CONNECTIONS

LINE LEADS



VOLTAGE	L1	L2	L3	JOIN & INSULATE
HIGH	T1	T2	T3	(T4,T7) (T5,T8) (T6,T9)
LOW	T1,T7	T2,T8	T3,T9	T4,T5,T6

REF. DECAL (MOTOR) - 004014
 REF. DECAL (BRAKE) - 080035 (STEARNS & DINGS BRAKE)
 TYPE "T" W/O PROTECTOR

RBC PROPRIETARY AND CONFIDENTIAL INFORMATION
 This document is the property of REGAL BELOIT CORPORATION ("RBC") including its subsidiaries and divisions and contains proprietary information of RBC. This document is loaned on the express condition that neither it nor the information contained therein shall be disclosed to others without the express written consent of RBC, and that the information shall be used by the recipient only as approved expressly by RBC. This document shall be returned to RBC upon its request. This document may be subject to certain restrictions under U.S. export control laws and regulations.

BRAKE CONNECTION						
VOLTAGE	STEARNS BRAKE			DINGS BRAKE		
	L1	L2	JOIN	L1	L2	JOIN
HIGH	1(RED)	2(RED)	3(BLACK) 4(BLACK)	2(BLACK)	4(YELLOW)	1(YELLOW) 3(BLACK)
LOW	1(RED) 3(BLACK)	2(RED) 4(BLACK)	-----	2(BLACK) 3(BLACK)	1(YELLOW) 4(YELLOW)	-----

NO		REVISION		BY & DATE	CHK	ANG	TOLERANCES UNLESS SPECIFIED	REGAL Regal-Beloit Corporation		DRAWN VJB 09/24/13	
							DEC	INCHES	TITLE		CHK
							.X	±.1	EXTERNAL WIRING DIAGRAM		APPR
							.XX	±.01	STANDARD 3 PHASE - DUAL VOLTAGE		SCALE 1:1
							.XXX	±.005	MAT'L W/STEARNS OR DING DUAL VOLTAGE BRAKE CONN.		REF 005010.15
							.XXXX	±.0005	FINISH W/T-STATS		FMF 117992.00
							ANG	±1/2°	PREV		PAGE OF
		THIRD ANGLE PROJECTION			RFP		NETWORK FILE NAME 00501051		SIZE	DRAWING NO	REV
									A	005010-51	



LEESON ELECTRIC CORPORATION
TYPICAL PERFORMANCE CURVE for AC MOTOR

Model No 119561.00

Curve at 460
60
1

Volts
HZ
HP

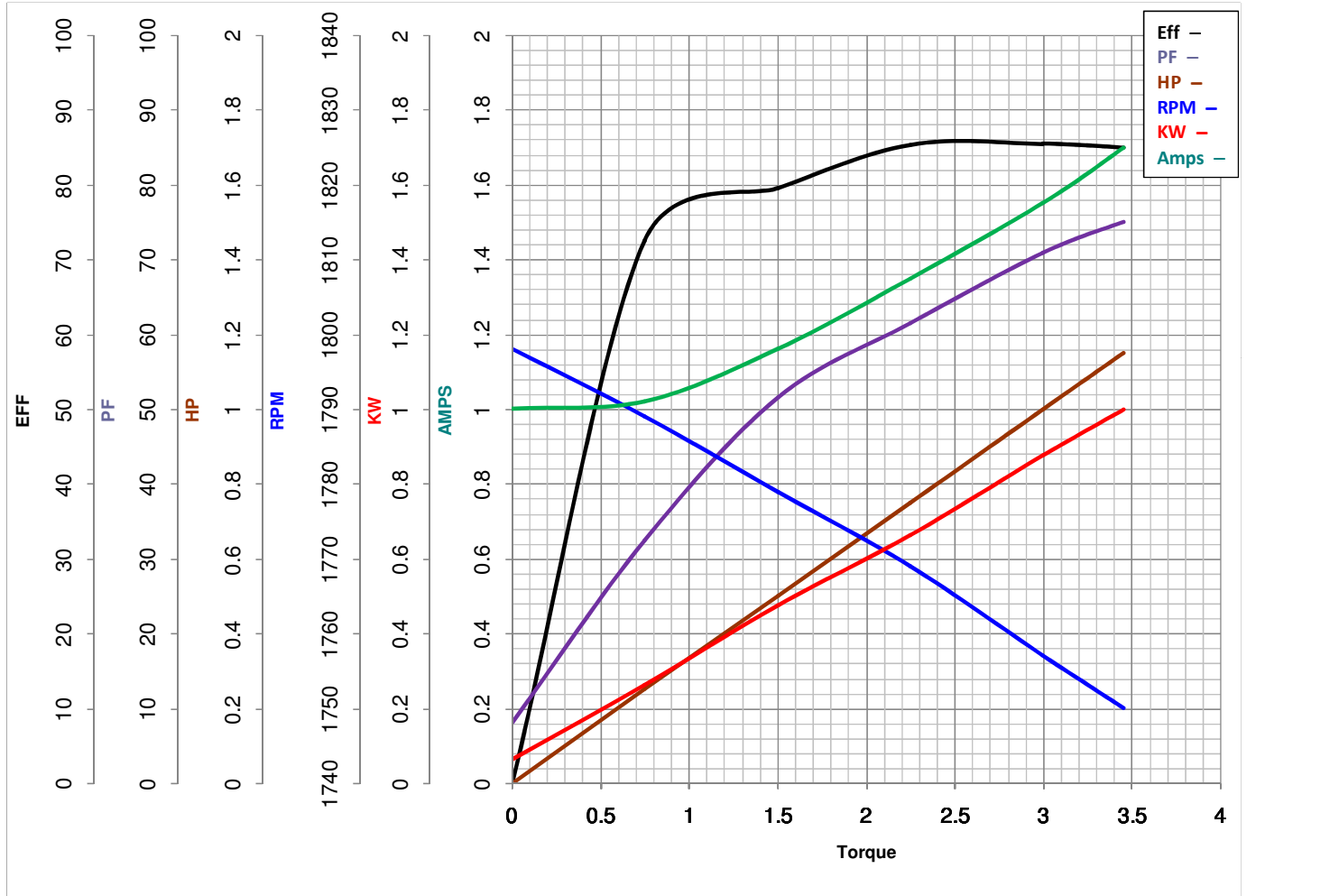
HP 1.00
VOLTS 230/460

PHASE 3

Catalog No 119561.00

HZ 60

RPM 1760



FL TORQUE	<u>3</u>	Lb.Ft	FL AMPS	<u>3.2/1.6</u>	
BD TORQUE	<u>15.8</u>	Lb.Ft	PU TORQUE	<u>11.9</u>	Lb.Ft
LR TORQUE	<u>12</u>	Lb.Ft	LR AMPS	<u>14</u>	
WINDING	<u>T634342-3</u>		Date	<u>5/28/2018</u>	